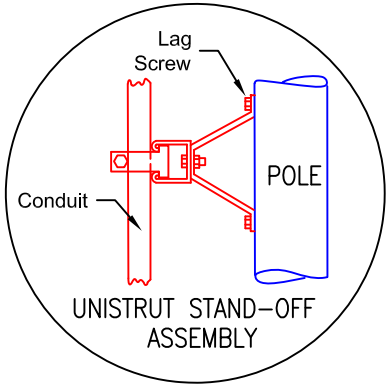
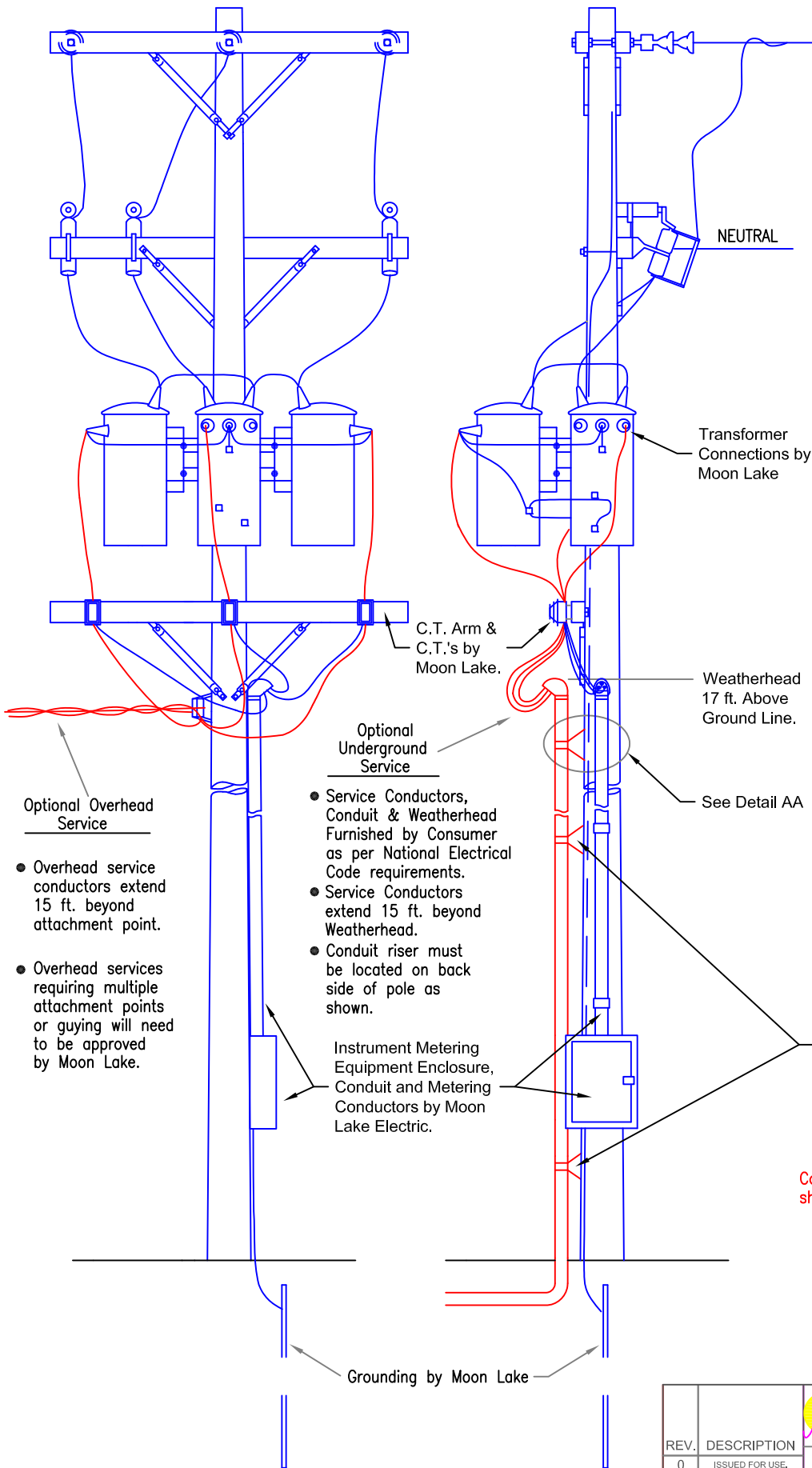
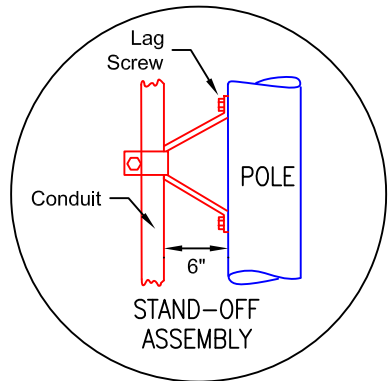


INSTRUMENT-METERING INSTALLATION



DETAIL AA

NOTE:
USE OF OTHER TYPES OF
STAND-OFF ASSEMBLIES MUST
BE APPROVED BY MOON LAKE
ELECTRIC.



DETAIL AA

Stand-off Assemblies shall be
arranged so there is no less
than 8ft. between the two
lowest assemblies.

Consumer furnished facilities
shown in Red.

Optional Overhead
Service

- Overhead service conductors extend 15 ft. beyond attachment point.
- Overhead services requiring multiple attachment points or guying will need to be approved by Moon Lake.

- Service Conductors, Conduit & Weatherhead Furnished by Consumer as per National Electrical Code requirements.
- Service Conductors extend 15 ft. beyond Weatherhead.
- Conduit riser must be located on back side of pole as shown.

Instrument Metering
Equipment Enclosure,
Conduit and Metering
Conductors by Moon
Lake Electric.

Grounding by Moon Lake

| | | | | |
|---------------------------------------|--|---|--|-----------------------------|
| REV. DESCRIPTION 0 ISSUED FOR USE. | | MOON LAKE ELECTRIC ASSOC., INC. Roosevelt, Utah 84066 | INSTRUMENT METERING INSTALLATION POLE MOUNTED | DRAWING # MTRLOOP |
| | | | | |
| | | APPR. - P.CORUN. | | |